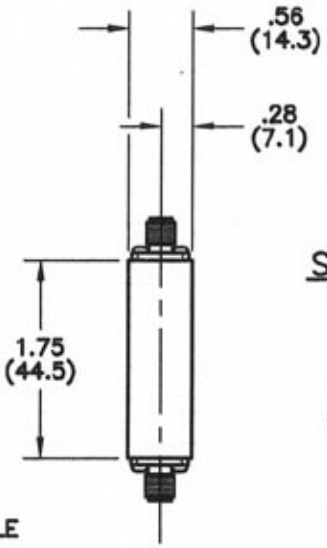
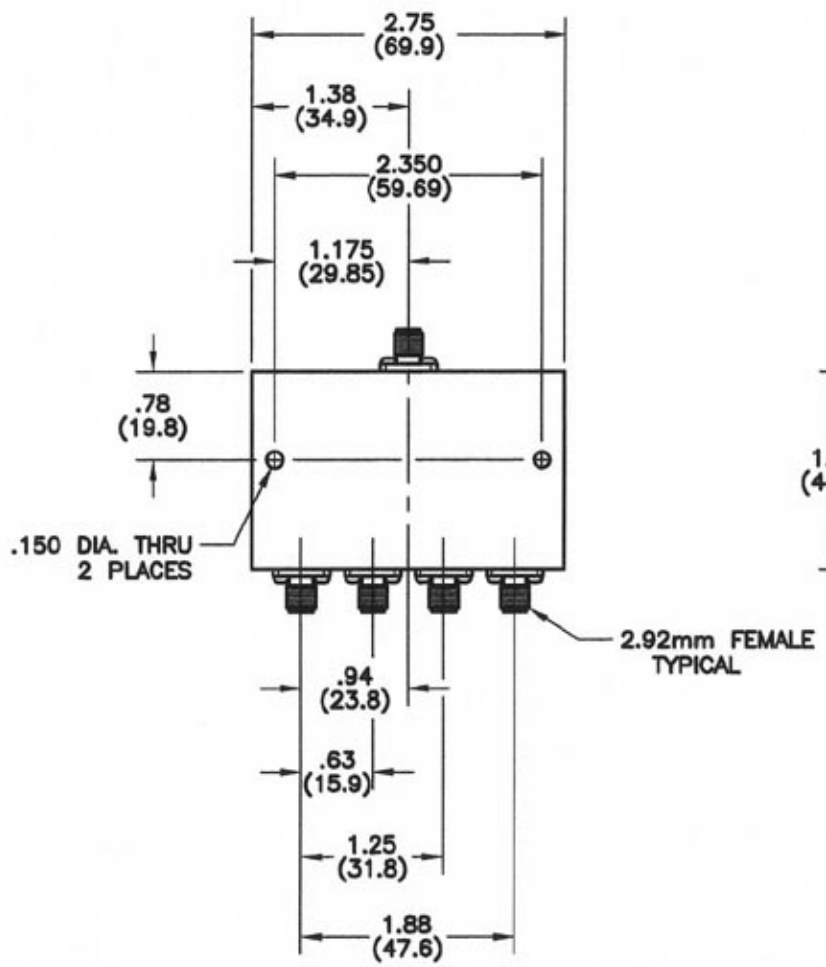


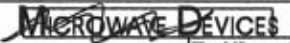
REVISIONS				
REV	ZONE	DESCRIPTION	DATE	BY ECO



SPECIFICATIONS

FREQUENCY RANGE: 1.5 TO 3.0 GHz
 INSERTION LOSS: 0.6 dB MAX.
 ISOLATION: 20 dB MIN.
 VSWR: INPUT - 1.40:1 MAX.
 OUTPUT - 1.40:1 MAX.
 POWER: 30 WATTS AVG. W/ LOAD VSWR 1.20:1 MAX.

DIMENSIONS: INCHES (MILLIMETERS)

TOLERANCES		THE INFORMATION CONTAINED IN THIS DOCUMENT IS THE PROPERTY OF MICROWAVE DEVICES, INC. AND IS PROPRIETARY. IT IS NOT TO BE COPIED OR USED FOR ANY PURPOSE OTHER THAN AS INSTRUCTED, IN WRITING, BY MICROWAVE DEVICES, INC.	 <small>(RF and Microwave Components)</small>
DECIMAL ± .03	FRACTION ±		
ANGLES ± .010	ANG ±		
MATERIAL			
FINISH	SIGNATURES	DATE	OUTLINE, 4-WAY POWER DIVIDER, MODEL 4PD2.25-2 CAGE 60674 SIZE B DRAWING NO. 900647-2 DRAWING SCALE 1=1 SHEET 1 OF 1
DR	G.V. Cothron	2-9-07	
CHK			
APPD			

CONTACT: MICROWAVE DEVICES - 1150 N. GRAHAM RD. FRENCH, IN 46131 (317) 736-8833

DIMENSIONS ARE IN INCHES UNLESS OTHERWISE SPECIFIED.